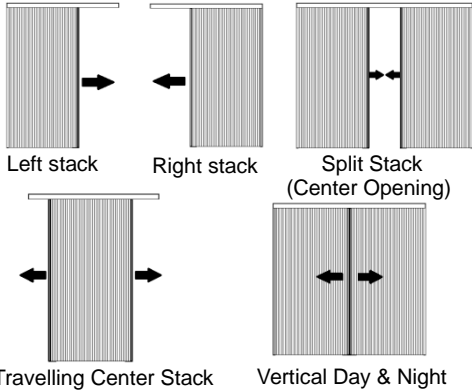


Read the instruction before operating your shade

Installation & Maintenance Instructions

Honeycomb Shades Patio Door Vertical & Vertical Day & Night



Getting Started

Remove the shade from the package. Save the packaging until the shade is installed and working to your satisfaction.

Tools Needed :

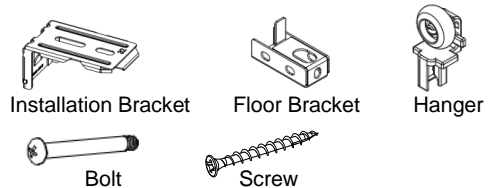
- Power drill and drill bit
- Measuring tape
- Screwdriver
- Level
- Pencil



You will need to use the following fasteners for your particular mounting surface.

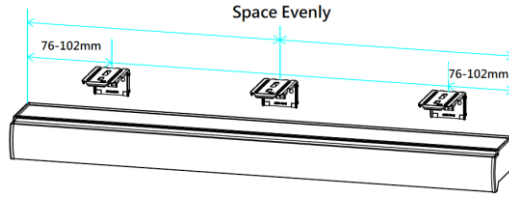
Surface	Fastener
Wood	Screws (Provide)
Drywall/Plaster	Wall Anchors, Expansion Bolts (Not Provide)
Metal	Sheet Metal Screws (Not Provide)

Check Component/Hardware:



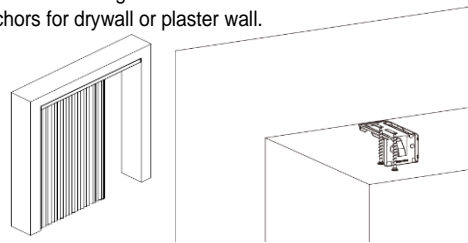
Step 1: Bracket Installation

Measure 76mm~102mm from each end of the head rail. This is the edge of the outer brackets. Mark the bracket location on the mounting surface, proper alignment of brackets will make installation easier.



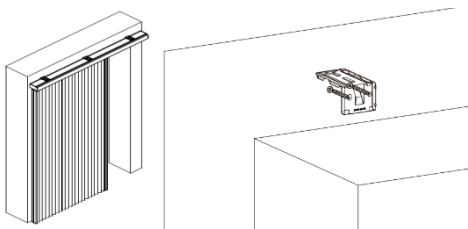
Inside Mount:

Align the front of brackets flush against the front of the window opening and mark where the screws will go. Use two mounting screws for each bracket. Use wall anchors for drywall or plaster wall.



Outside Mount:

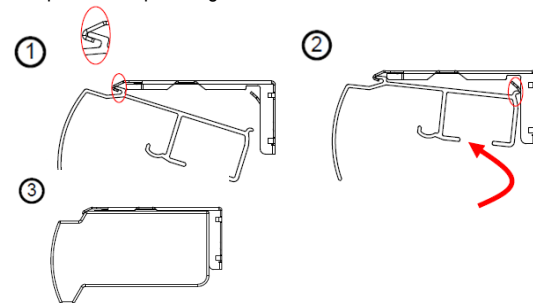
Position the top of bracket 3mm above the order height. Use two mounting screws for each bracket. Use wall anchors for drywall or plaster wall.



Step 2: Shade Installation

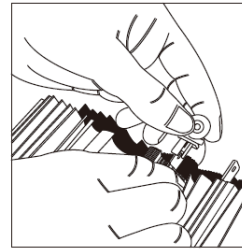
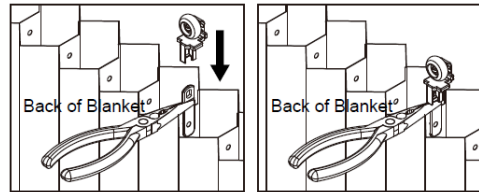
a. Headrail

Position the top lip of the headrail under the top front lip of the brackets; then push the headrail up at the back to click into position as per image below.



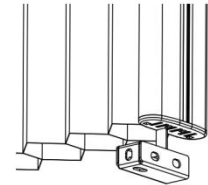
b. Clips & Hangers

Assemble the clips (pre-attached on the blanket) into hangers, by using pliers, or grabbing few folds of blanket for better installation as per below photos. For convenient operation, reverse the shade when open the package and face to the back of blanket.

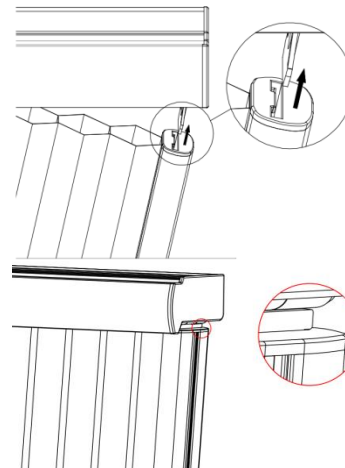


c. Install unmovable vertical rail

Note: Before installing the unmovable vertical rail, don't untie cords at the top of the vertical rail. Attach the floor bracket to the end cap of unmovable vertical rail, shown in right drawing.

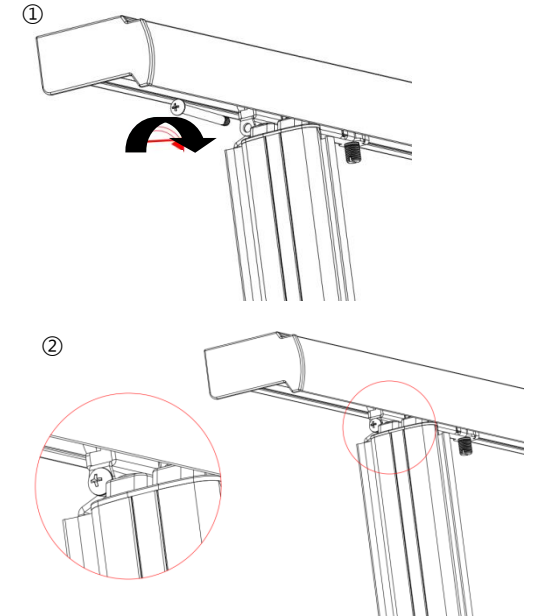


Position the vertical rail, with its top slot directly below the fixed hanging clip already installed on the headrail, and lift upwards to fix it into place as per the below drawing.



d. Install movable vertical rail

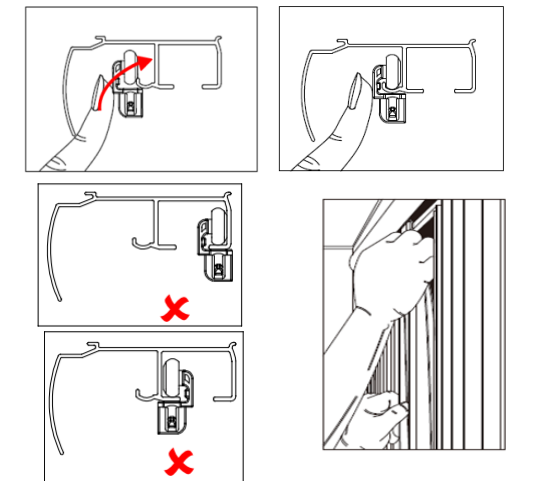
Align the hanger shaft hole with the sliding supporting shaft hole, and insert the bolt into the shaft hole completely (1). Completely screw the bolt tightly clockwise (2).



e. Hanger

Press onto headrail from the front of the shade. Please slightly hold the blanket with the other hand for easy installation.

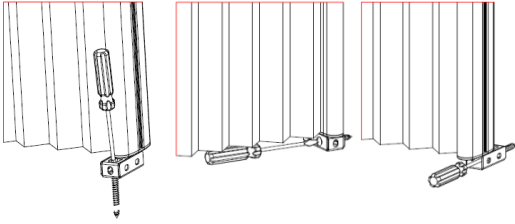
Note: The rollers should be facing away from you.



f. Floor Bracket

From the drawing below, decide which way you will face the floor bracket to be screwed to the wall or the floor. Make sure the rail is aligned straight with the floor and wall. Floor Bracket has been pre-attached to the end cap of unmovable vertical rail at step c.

Fix the floor bracket into place.



Into the Floor

Into the Wall

g. Tension Cord

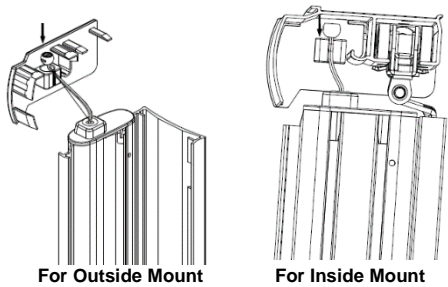
*Remove the rubber band from the cord and bead
*Place the bead inside the bead housing of the headrail end cap on the movable rail side from above.

Note: focus on sliding the string down the slot. Important:

1. For Left Stack, Split Stack (Center Opening) left shade and Day & Night left shade, put the bead into bead housing of right headrail end cap.

2. For Right Stack, Split Stack (Center Opening) right shade and Day & Night right shade, put the bead into bead housing of left headrail end cap.

3. For Travelling Center Stack, put the bead from right movable rail into bead housing of right head rail end cap; put the bead from left movable rail into bead housing of left head rail end cap.



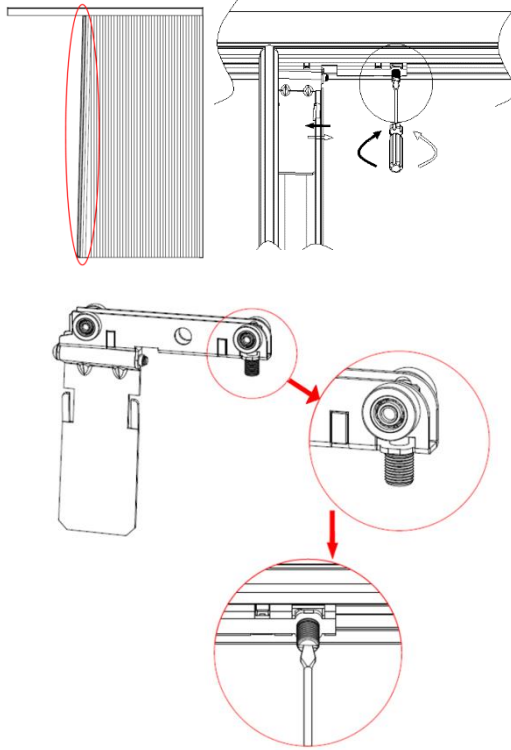
For Outside Mount

For Inside Mount

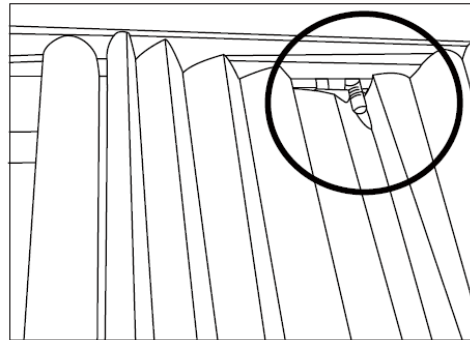
Note: for Center Opening and Day & Night, repeat steps b to f for the other side of the shade; for Travelling Center Stack, repeat steps b to e.

h. Vertical Alignment

If the movable vertical rail is not perpendicular to the floor, adjust the screw as per photo. Tighten or loosen the screw to adjust the moveable rail so it is aligned straight.



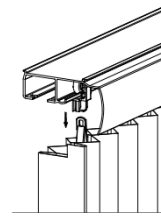
Note: the fabric can be crinkled and will bounce back into place.



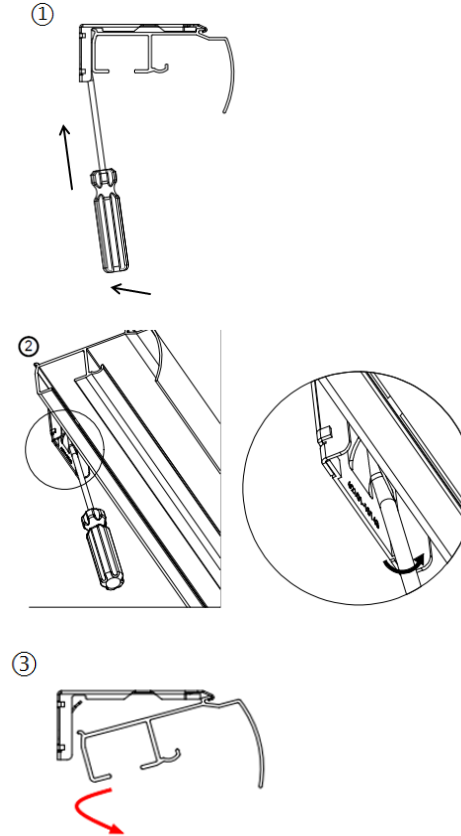
Remove the shade

Please use the reverse steps of installing vertical rail and shade to remove the vertical rail and shade.

Note: Separate clips from hangers as below drawing, the hangers leave on headrail.



Gently pry the bracket off the head rail with a flat screwdriver as below drawing.

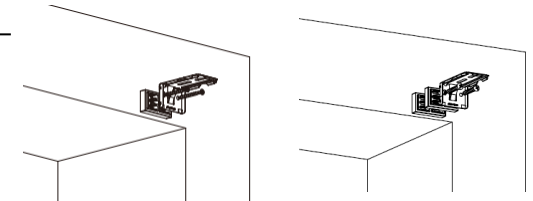


Installation of spacer block (for OM, not provided)

a. Spacer block for installation bracket:

Install the spacer block (1pc or 2pcs) at the backside of the installation bracket as below pictures. Extend up to 10mm for 1pc spacer block. Extend up to 18mm for 2pcs spacer block.

Mount the combination of the bracket and 1 set of spacer block with two 38mm screws, for 2 sets of spacer blocks use two 50mm screws.

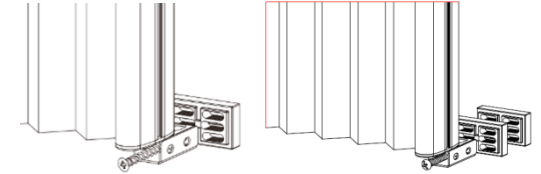


b. Spacer block for floor bracket:

Install the spacer block (1pc or 2pcs) at the backside of the Floor bracket as below pictures.

Mount the combination of the bracket and 1 set of spacer block with two 38mm screws, for 2 sets of spacer blocks use two 50mm screws.

Extend up to 10mm for 1pc spacer block. Extend up to 18mm for 2pcs spacer block.



Troubleshooting

Problem	Solution
When the cord is loose, adjustment is necessary. a. Remove the buckle bead from the headrail end cap. b. Remove the cord knot from the buckle, readjust the cord length and tie a knot. Put back the buckle bead into the headrail end cap. Do not over tight.	 Step 1: Carefully remove the bead from bead housing(no need to remove the end cap from headrail)
The shade cannot be closed fully, due to the bead is put into the bead housing in reverse direction.	 Step 2: Place the bead into the bead housing from the above, and make sure the loose cord is at the top of end cap. Step 1: Carefully remove the bead from bead housing(no need to remove the end cap from headrail)